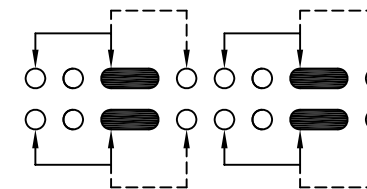
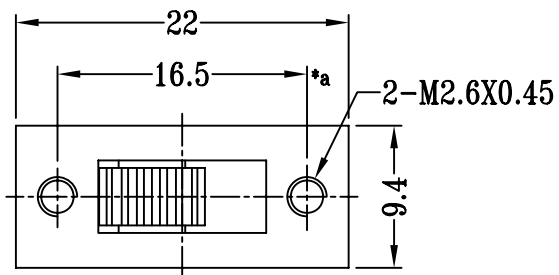
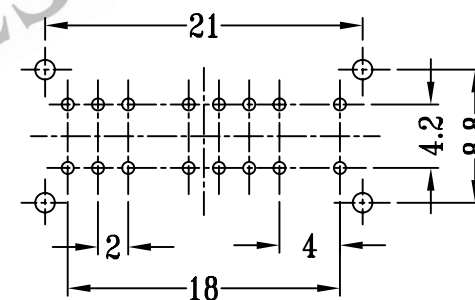
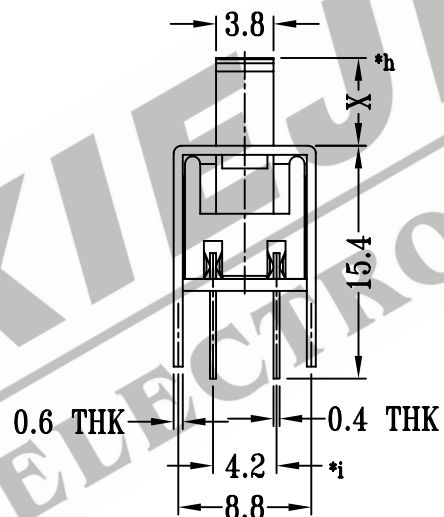
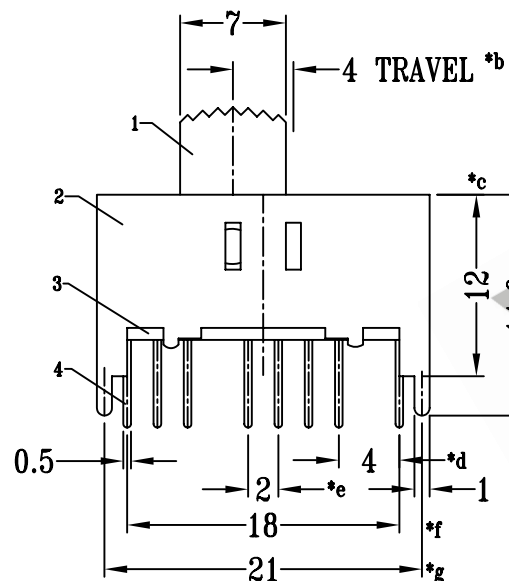


CAD FILE:



SCHEMATIC (NON-SHORTING)



P.C.B LAYOUT

注:带*表示关键尺寸(9个)

NO.	PART NAME	MATERIAL	Q'TY	FINISHING	TOLERANCE UNLESS SPECIFIED	SHENZHEN XIEJIA ELECTRONICS CO.,LTD.				
8						ISSUE	DATE	DESCRIPTIONS		APPD.
7	STEEL BALL	STEEL	2	NATURAL	WITHIN: 1.5±0.1mm OVER : 1.5±0.2mm					
6	SPRING	STEEL WIRE	1	TEMPER				DRWG NO.: XJ-DR-SS42H08-00		
5	CONTACT CLIP	PBS STRIP	4	Ag PLATED				DWN.	ZHOUYU	2004-9-16
4	TERMINAL	BRASS STRIP	16	Ag PLATED OVER Ni PLATED	TITLE : VERTICAL SLIDE SWITCH	UNIT : MM				
3	BASE	PHENOLIC RESIN	1	NATURAL	MODEL: SS-42H08	SCALE: 2:1	CHK'D	FANGYING	2004-9-16	
2	FRAME	STEEL STRIP	1	Ni PLATED	ALL MATERIALS MUST BE COMPLIANT TO ROHS		APPD.	KANGXINAN	2004-9-16	
1	KNOB	POM	1	BLACK						